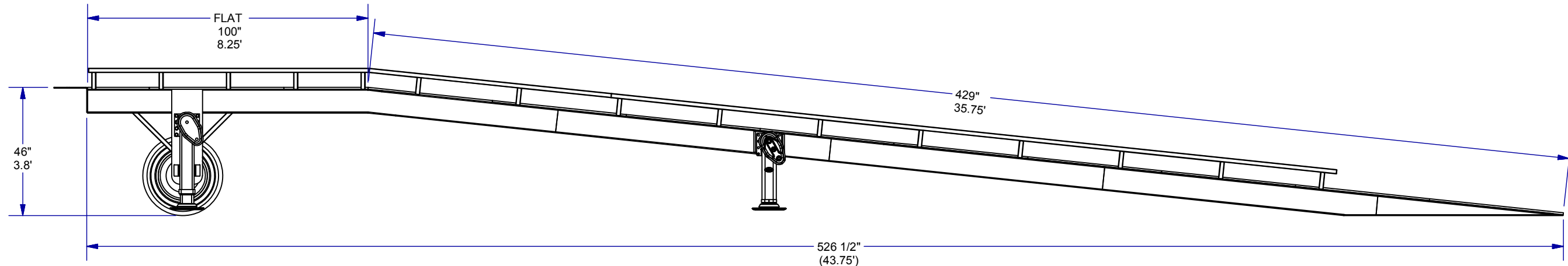
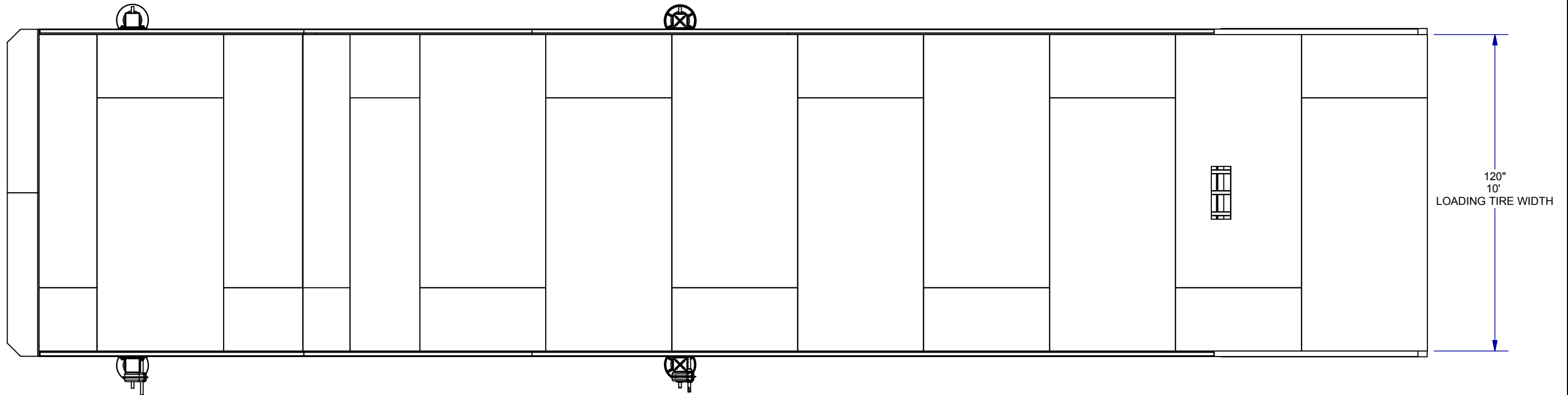


4 3 2 1



CONFIDENTIAL/PROPRIETARY  
DO NOT DISTRIBUTE  
©CANCADE COMPANY LTD., 2012  
- ALL RIGHTS RESERVED -



1651 12th Street  
Brandon, MB R7A 7L1  
Phone: (204) 728-4450

DIMENSIONS ARE IN INCHES  
UNLESS OTHERWISE NOTED

MATERIAL  
  
DRAWN BY:  
DESIGNED BY: travisffi

TOLERANCES: X/X±1/16; X.X±0.1; X.XX±0.01; X.XXX±0.005; XX±1°  
DRAWING GENERATED FROM 3D MODEL, SEE MODEL FOR ANY MISSING DIMENSIONS

DESCRIPTION		
<b>LOADING RAMP DIMENSIONS</b>		
WEIGHT	DWG NO	REV
N/A	<b>A000-357</b>	-
SIZE B	SCALE NTS	SHEET 1 OF 1

REV	DESCRIPTION	DATE	APPROVED
-	ORIGINAL RELEASE	19 SEP 2016	TANNERP

REVISION HISTORY

4 3 2 1