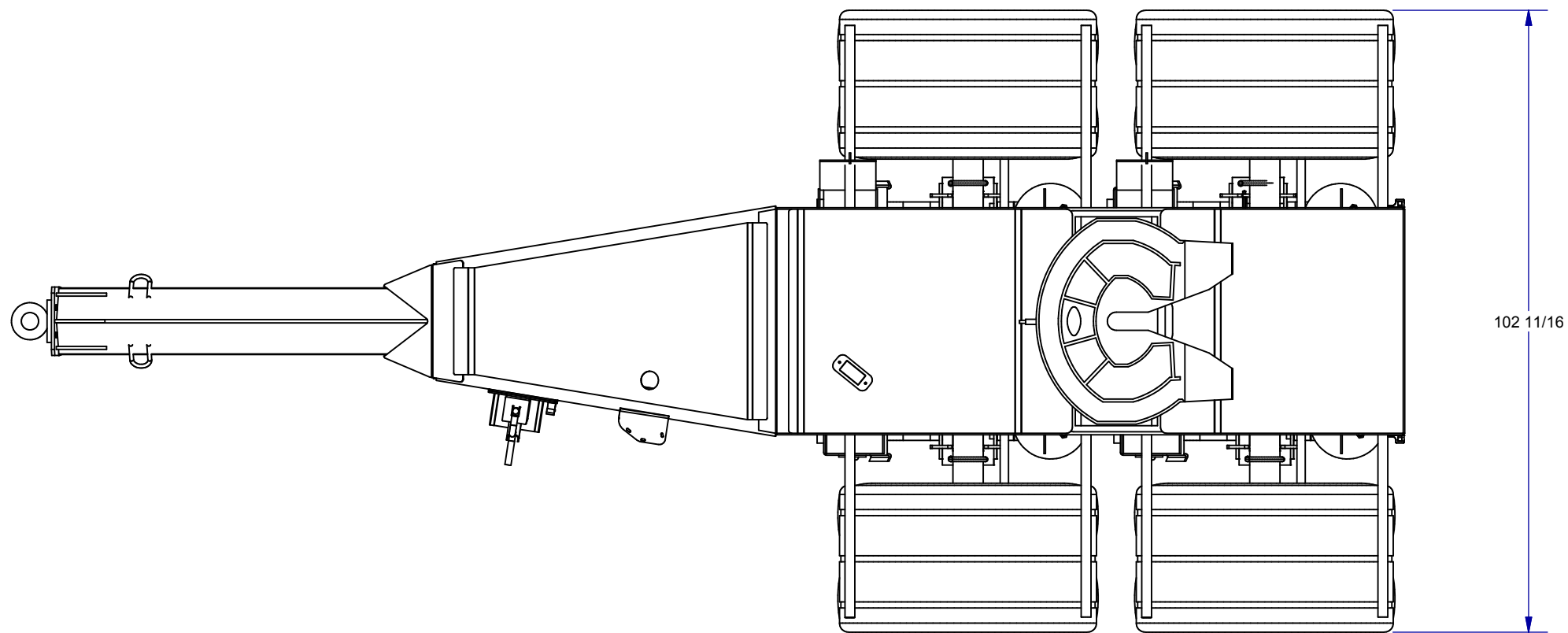


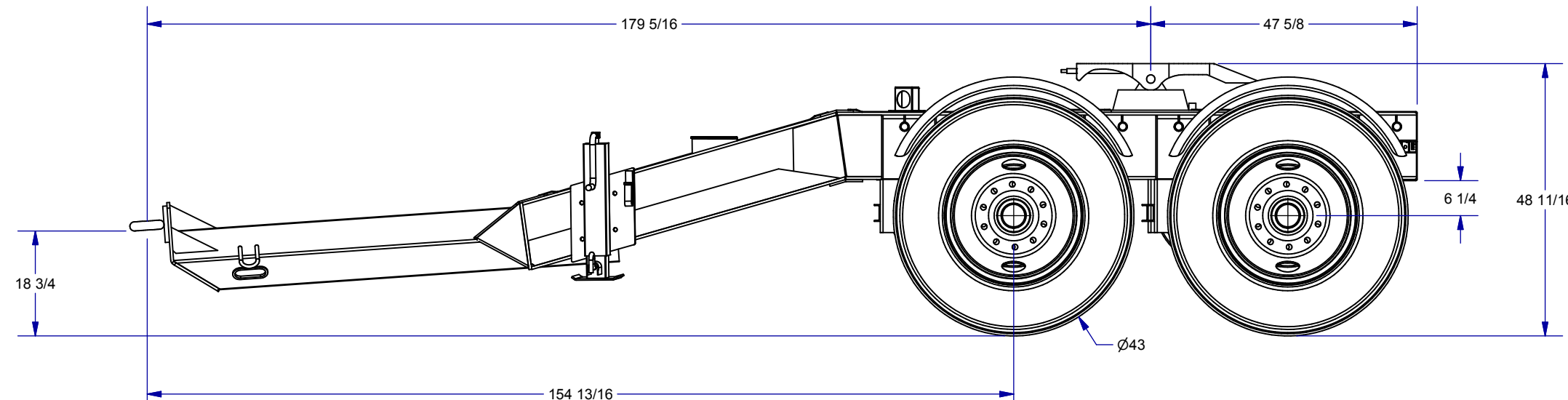
4 3 2 1

B



102 11/16

A



179 5/16

47 5/8

18 3/4

6 1/4

48 11/16

Ø43

154 13/16

A

CONFIDENTIAL/PROPRIETARY
DO NOT DISTRIBUTE
©CANCADE COMPANY LTD, 2012
- ALL RIGHTS RESERVED -

CANCADE
COMPANY LIMITED

1651 12th Street
Brandon, MB R7A 7L1
Phone: (204) 728-4450

DIMENSIONS ARE IN INCHES
UNLESS OTHERWISE NOTED

MATERIAL

DRAWN BY:
DESIGNED BY: MIKER

TOLERANCES: X/X±1/16; X.X±0.1; X.XX±0.01; X.XXX±0.005; XX°±1°
DRAWING GENERATED FROM 3D MODEL, SEE MODEL FOR ANY MISSING DIMENSIONS

DESCRIPTION
TRAILER FINAL CONVERTER DOLLY TAN AIR

WEIGHT	DWG NO	REV
N/A	806037	-
SIZE B	SCALE NTS	SHEET 1 OF 1

4 3 2 1